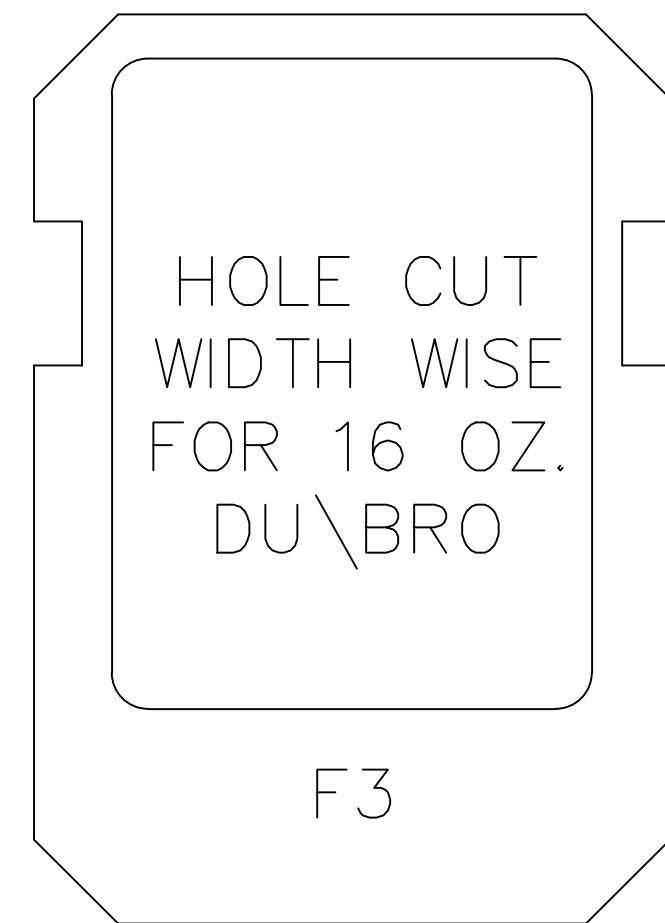
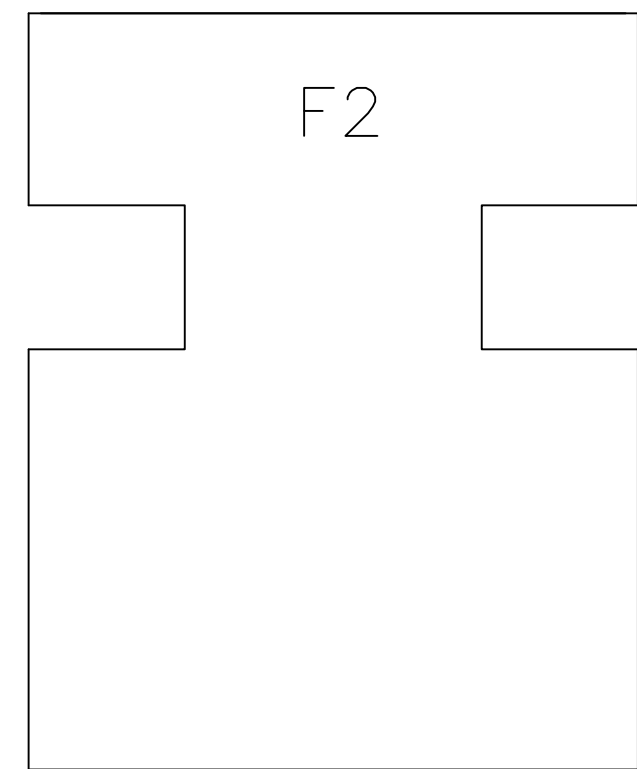
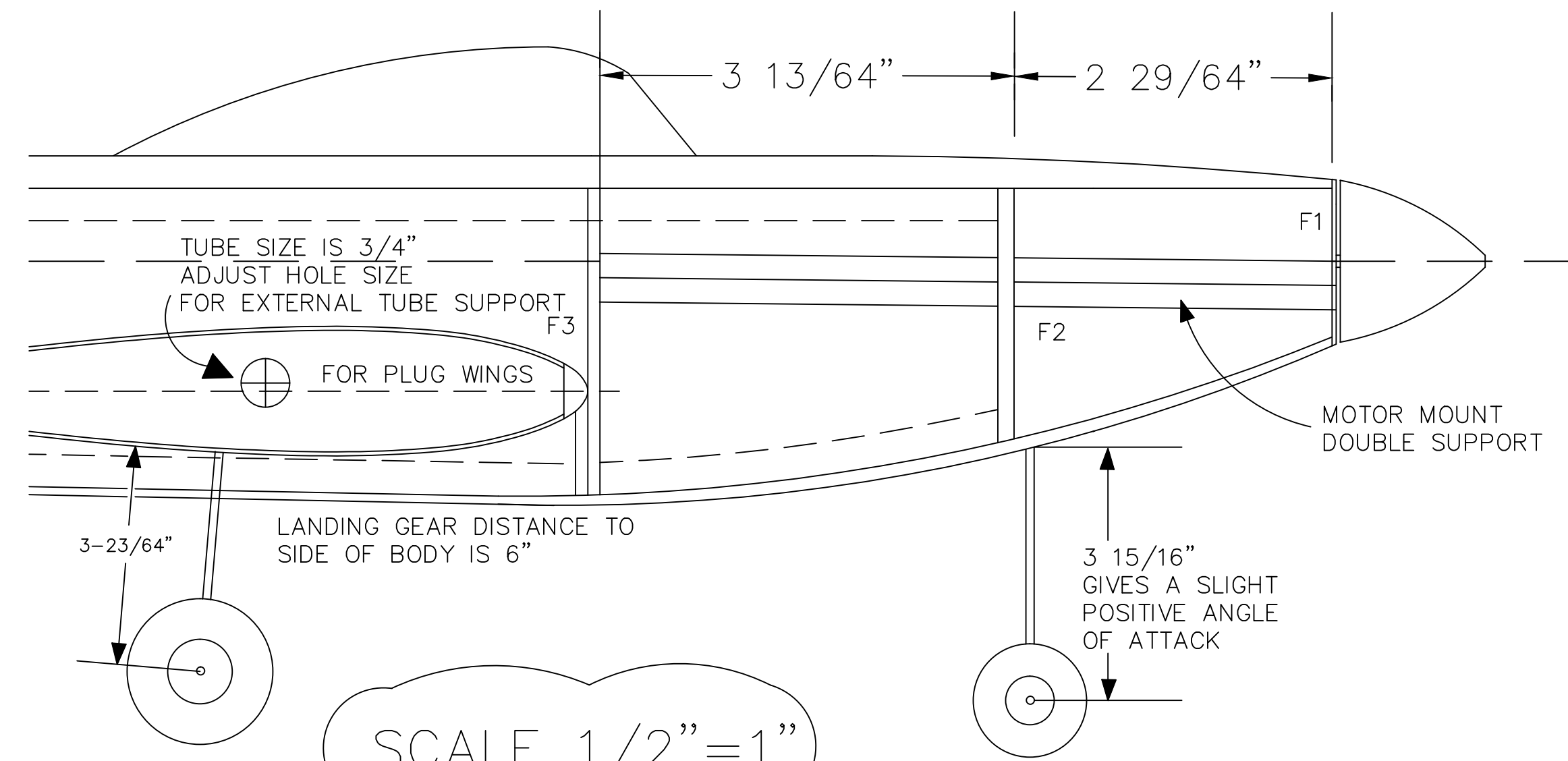


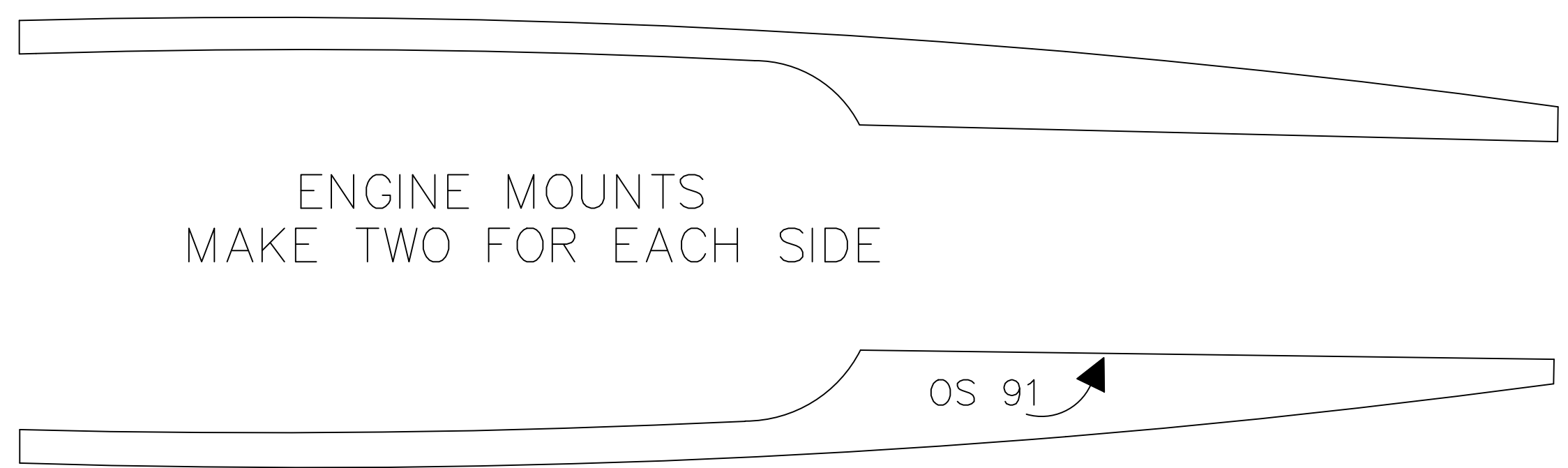
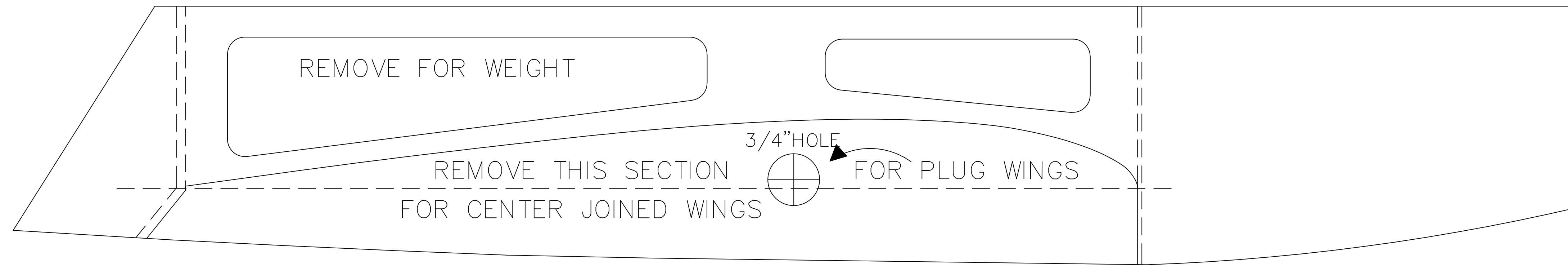
DOWN THRUST ADDED
TO THESE TWO FORMERS
FOR OS-91



HOLE CUT
WIDTH WISE
FOR 16 OZ.
DU\BRO



SCALE 1/2" = 1"



IF YOU ARE BUILDING
YOUR DADDY RABBIT FOR
AN OS 91, USE THIS PRINT
FOR THE AREAS SHOWN